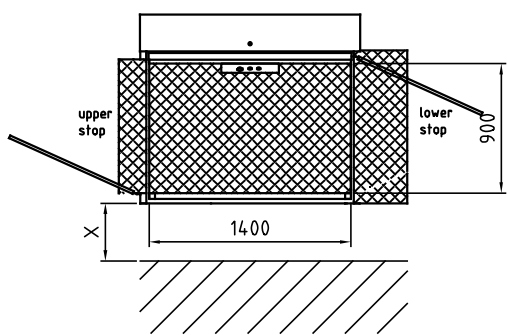


DOOR CONFIGURATION 180-RRR



| lifting height hp [mm] | total height H [mm] |
|------------------------|---------------------|
| 260-560 | 1760 |
| 560-810 | 2010 |
| 810-1060 | 2260 |
| 1060-1310 | 2510 |
| 1310-1560 | 2760 |
| 1560-1810 | 3010 |
| 1810-2060 | 3260 |
| 2060-2310 | 3510 |
| 2310-2560 | 3760 |
| 2560-2810 | 4010 |
| 2810-2999 | 4260 |

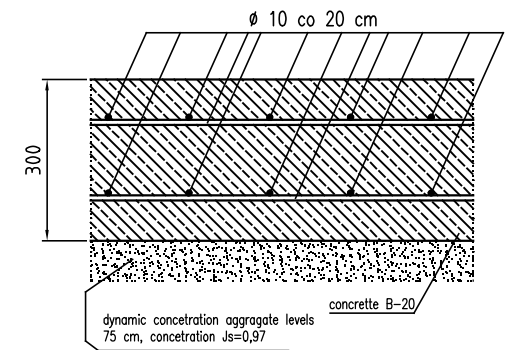
Safe gap "X" for platforms 180' entries:

$X \geq 400$ - distance between platform moving elements and near "cut edge".

$X = \min. 120$ distance between platform moving elements and near smooth vertical wall.

$20 < X < 120$ - distance between platform moving elements and smooth vertical wall if additional safety bar used.

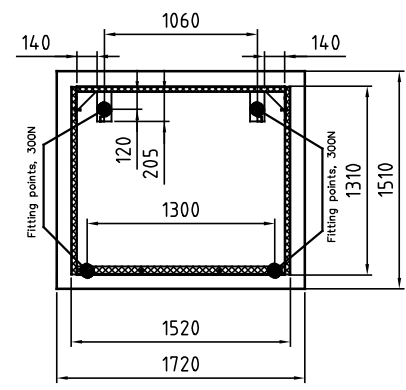
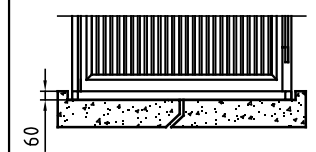
SAMPLE PIT DRAWING



OPTION 1 - RAMP (NO PIT)

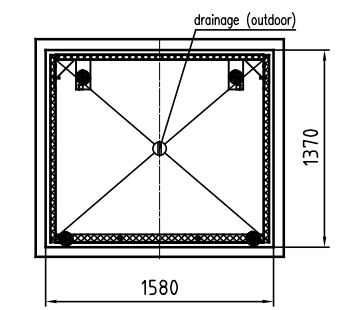


OPTION 2 - PIT (NO RAMP)



Basement view

Max. slope 1% from wall direction



Pit view

Max. slope 1% in the middle of pit. Pit dimensions should be made 60mm bigger than external dimensions of the platform

The force acting on the surface under the platform 7kN



| | | |
|-----------|----------------------------|------|
| EOS ID | B385-900x1400_180-RRR (EN) | |
| Tender no | | |
| Order no | Date | Time |