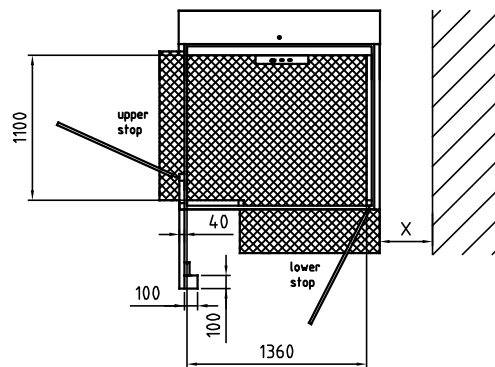


DOOR CONFIGURATION 90-RRR



lifting height hp [mm]	total height H [mm]
260-560	1760
560-810	2010
810-1060	2260
1060-1310	2510
1310-1560	2760
1560-1810	3010
1810-2060	3260
2060-2310	3510
2310-2560	3760
2560-2810	4010
2810-2999	4260

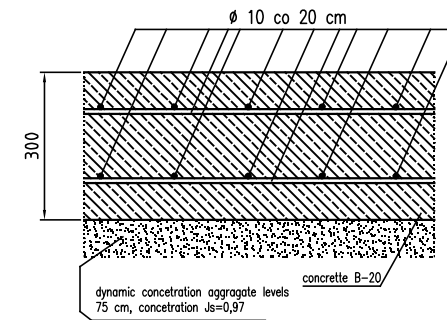
Safe gap "X" for platforms 180° entries:

$X \geq 400$ - distance between platform moving elements and near "cut edge".

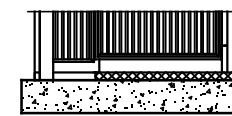
$X = \text{min. } 120$ distance between platform moving elements and near smooth vertical wall.

$20 < X < 120$ - distance between platform moving elements and smooth vertical wall if additional safety bar used.

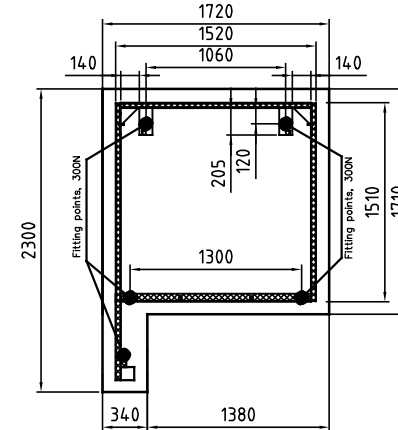
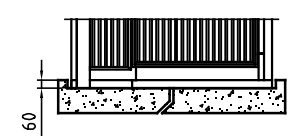
SAMPLE PIT DRAWING



OPTION 1 - RAMP (NO PIT)

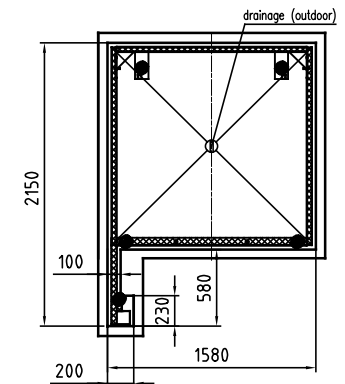


OPTION 2 - PIT (NO RAMP)



Basement view

Max. slope 1% from wall direction



Pit view

Max. slope 1% in the middle of pit.
Pit dimensions should be made 60mm bigger than external dimensions of the platform

The force acting on the surface under the platform 7kN



EOS ID

Tender no

Order no

B385-1100x1400_90-RRR (EN)

Date

Time